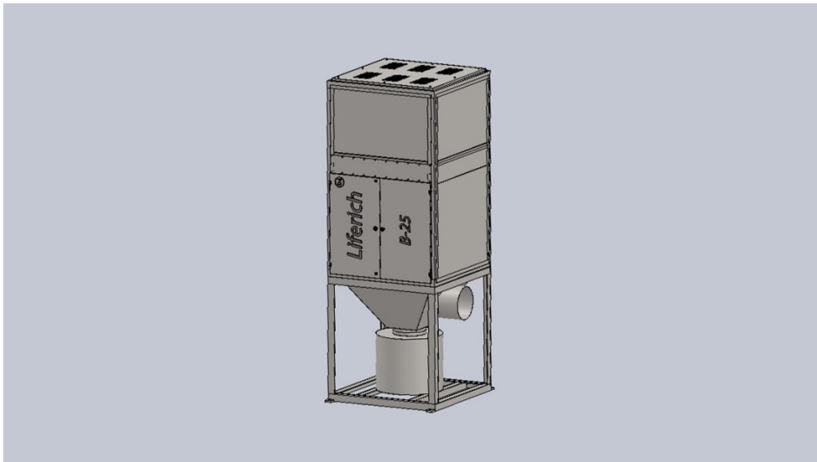


B25

Dust Collector

B25 is a compact, quiet and efficient dust collector with multiple filter bags, ID fan , fan motor, auto shaker and electrical controls with timer. Dust filled air is filtered by wire cage mounted filter bags which undergo periodic shaking to remove dust cakes . Dust cakes are collected in removable bin.



Machine Features

- Capacity – 3200 cfm
- No. of Filter Bags – 25
- Air Inlet tube diameter – 300 mm
- Power – 7.5 kw
- No of Bins – 01
- Dimensions (LxWxH) in mm : 1103 x1388 x 2932
- Gross Weight : 633 kg

